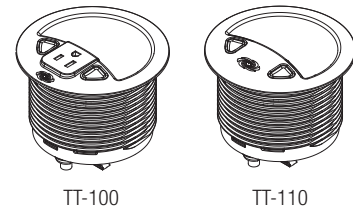


TT-100 Series Crestron Connect It™ Cable Caddy

DO Install the Device

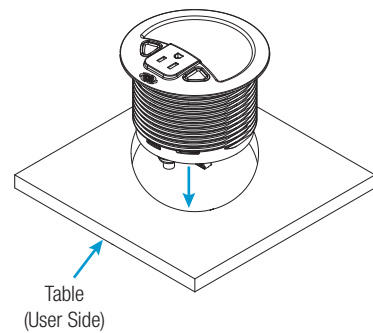
The TT-100 Series is designed for installation into a conference table. The required thickness of the table is 1/2 inch (13 mm) to 1-1/4 inches (32 mm).



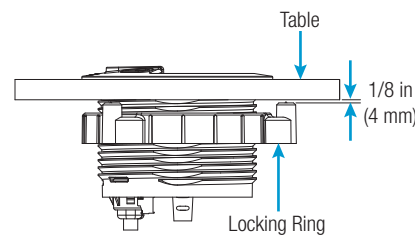
NOTE: The TT-100 Series includes the TT-100, TT-101, TT-110, and TT-111. The TT-101 consists of the TT-100 plus HDMI®, VGA, audio, and Ethernet cables. The TT-111 consists of the TT-110 plus HDMI, VGA, audio, and Ethernet cables. The TT-100, which provides a power outlet, is shown for illustrative purposes throughout the remainder of this guide.

To install a TT device, do the following:

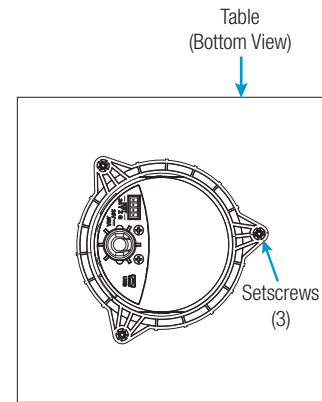
1. Properly protect the surface of the table.
2. Using a 4-inch (102 mm) hole saw (not included), drill a hole in the appropriate location in the table.
3. With the TT device positioned so that the Crestron® logo faces the user of the device, insert the body of the device into the hole.



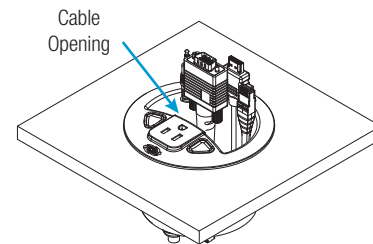
4. Twist the included locking ring onto the body of the TT device, leaving a 1/8-inch (4 mm) gap between the locking ring and the bottom surface of the table.



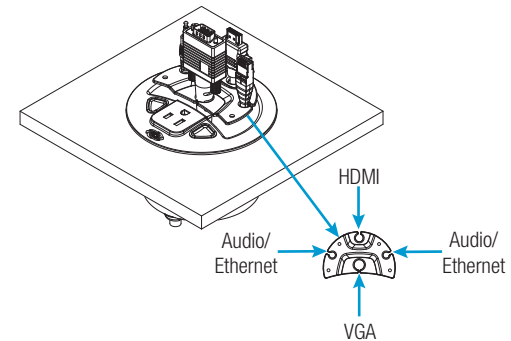
5. Using the included Allen wrench, tighten the three setscrews (included with the locking ring) to secure the locking ring to the bottom surface of the table.



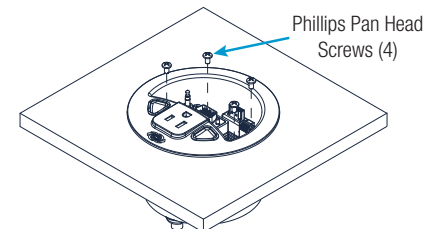
6. Route the desired cables from the bottom of the TT device through the cable opening. Up to four cables can be routed: one HDMI cable, one VGA cable, one audio cable, and one Ethernet cable (all cables supplied with the TT-101 and TT-111).



7. Insert the cables into the appropriate holes in the included cable plate.



8. Seat the cable plate in the cable opening, and then attach the plate using the four supplied Phillips pan head screws.



DO Check the Box

QUANTITY	PRODUCT	COLOR	PART NUMBER
1	Cable, USB 2.0, A - Mini B, 6' 6" (2 m)	Black	2025146
1	Cable, USB 2.0, B - Mini A, 6' 6" (2 m)	Black	2038104
1	Connector, 4-Pin		2003576
1	Tool, 3/32" Allen Wrench		2036829
TT-100-B-T, TT-101-B-T, TT-110-B-T, and TT-111-B-T Only			
1	Cable Plate	Black	2036696
1	Locking Ring	Black	4519116
4	Screw, 6-32 x 1/4", Pan Head, Phillips	Black	2007215
TT-100-GRY-T, TT-101-GRY-T, TT-110-GRY-T, and TT-111-GRY-T Only			
1	Cable Plate	Gray	2036697
1	Locking Ring	Gray	4519209
4	Screw, 6-32 x 1/4", Pan Head, Phillips		2007213
TT-101-B-T, TT-111-B-T, TT-101-GRY-T, and TT-111-GRY-T Only			
1	Cable, Audio, Stereo, 1/8" Mini, 6' (1.83 m)		2037179
1	Cable, Ethernet, CAT5e, 7' (2.13 m)		2030114
1	Cable, HDMI, 6' (1.83 m)		2037173
1	Cable, VGA, 6' (1.83 m)		2037178

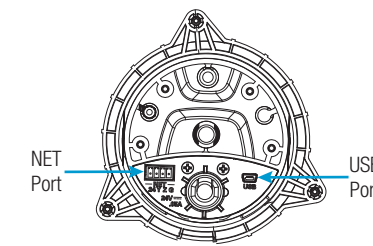
Not Included: 4-Inch (102 mm) Hole Saw; Phillips Screwdriver; and HDMI, VGA, Audio, and Ethernet Cables (Model Dependent)

DO Connect the Device

Connect the device as required for the application.

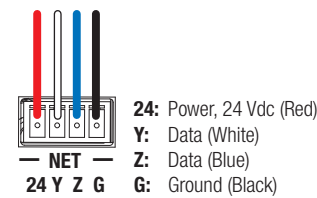
NET/USB Port Connection

NET and USB ports are located on the bottom of a TT device.



Use either the NET port or the USB port of a TT device to communicate with a compatible DigitalMedia™ device:

- The NET port requires a Cresnet® control cable (not included) to connect to a Crestron control system.



NOTE: When the NET port of the TT device connects to a control system, the TT device receives power via the NET port.

- The USB port, which is a USB Type mini-AB port, requires the included A to mini-B cable or B to mini-A cable to connect to the USB port of a compatible DigitalMedia device.

NOTE: For proper USB functionality, the appropriate USB cable must be connected to the TT device before the device is powered on.

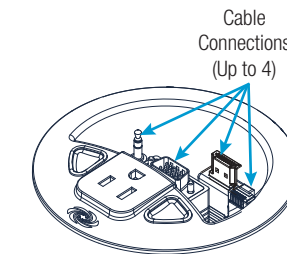
The USB cable to be used depends on the USB type (Type A or Type B) of the DigitalMedia device:

- When an A to mini-B cable connects the USB port of a DigitalMedia device to the USB port of a TT device, the TT device receives power via the USB port. Compatible DigitalMedia devices that connect to a TT device using an A to mini-B cable include the DMPS3-4K-150-C, DM-MD8X1-4K-C, HD-MD8X1-4K, and DM-TX-401-C. The DigitalMedia devices have USB Type A host ports, which supply USB power.
- When a B to mini-A cable connects the USB port of a DigitalMedia device to the USB port of a TT device, the TT device receives power via a connection to a Cresnet network or power supply. A compatible DigitalMedia device that connects to a TT device using a B to mini-A cable is the DM-TX-201-C. The DM-TX-201-C has a USB Type B device port, which does not supply USB power.

HDMI, VGA, Audio, and Ethernet Cable Connections

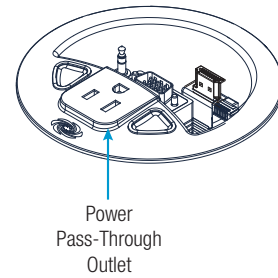
Connect HDMI, VGA, audio, and Ethernet cables as required for the application:

- Connect one end of the HDMI/VGA/audio cable to the appropriate output port of an audio/video source (for example, a laptop) and the other end of the cable to the corresponding input port of a compatible DigitalMedia device.
- Connect one end of the CAT5e Ethernet cable to a local network device and the other end of the cable to the building network.



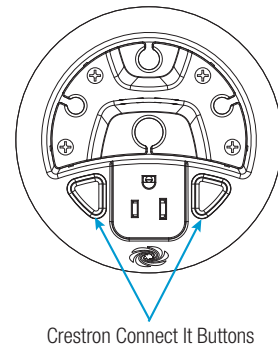
Power Pass-Through Outlet Connection (TT-100 and TT-101 Only)

Connect the grounded ac power pass-through outlet and the power cord (not shown) as required. The maximum load is 10 A @ 125 V, 50/60 Hz.



DO Observe the Status Indicators

TT devices provide soft-touch capacitive Crestron Connect It™ buttons with multicolored status indicators.



COLOR	DESCRIPTION
Blue	Video source is not connected.
Blinking Green	Video is detected. The display is turning on.
Solid Green	Video appears on the display.
Slowly Pulsating Green	Video is detected; however, video does not appear on the display.
Five Red Blinks	No video is detected. The Connect It button is touched. After five red blinks, the color reverts to blue.

DO Learn More

Visit the website for additional information and the latest firmware updates. To learn more about this product, use a QR reader application on your mobile device to scan the QR image.

Crestron Electronics

15 Volvo Drive, Rockleigh, NJ 07647
888.CRESTRON | www.crestron.com



As of the date of manufacture, the TT-110 and TT-111 have been tested and found to comply with specifications for CE marking.

The TT-100 Series is Listed to applicable UL Standards and requirements by Underwriters Laboratories Inc.

Federal Communications Commission (FCC) Compliance Statement

This device complies with part 15 of the FCC Rules. Operation is subject to the following two conditions:

(1) This device may not cause harmful interference, and (2) this device must accept any interference received, including interference that may cause undesired operation.

CAUTION: Changes or modifications not expressly approved by the manufacturer responsible for compliance could void the user's authority to operate the equipment.

NOTE: This equipment has been tested and found to comply with the limits for a Class B digital device, pursuant to part 15 of the FCC Rules. These limits are designed to provide reasonable protection against harmful interference in a residential installation. This equipment generates, uses and can radiate radio frequency energy and, if not installed and used in accordance with the instructions, may cause harmful interference to radio communications. However, there is no guarantee that interference will not occur in a particular installation.

If this equipment does cause harmful interference to radio or television reception, which can be determined by turning the equipment off and on, the user is encouraged to try to correct the interference by one or more of the following measures:

- Reorient or relocate the receiving antenna.
- Increase the separation between the equipment and receiver.
- Connect the equipment into an outlet on a circuit different from that to which the receiver is connected.
- Consult the dealer or an experienced radio/TV technician for help.

Industry Canada (IC) Compliance Statement

CAN ICES-3(B)/NMB-3(B)

The specific patents that cover Crestron products are listed at <http://www.crestron.com/legal/patents>.

Certain Crestron products contain open source software. For specific information, please visit www.crestron.com/opensource.

Crestron, the Crestron logo, Cresnet, Crestron Connect It, and DigitalMedia are either trademarks or registered trademarks of Crestron Electronics, Inc. in the United States and/or other countries. HDMI and the HDMI Logo are either trademarks or registered trademarks of HDMI Licensing LLC in the United States and/or other countries. Other trademarks, registered trademarks, and trade names may be used in this document to refer to either the entities claiming the marks and names of their products. Crestron disclaims any proprietary interest in the marks and names of others. Crestron is not responsible for errors in typography or photography.

This document was written by the Technical Publications department at Crestron.

©2015 Crestron Electronics, Inc.

The product warranty can be found at www.crestron.com/warranty.